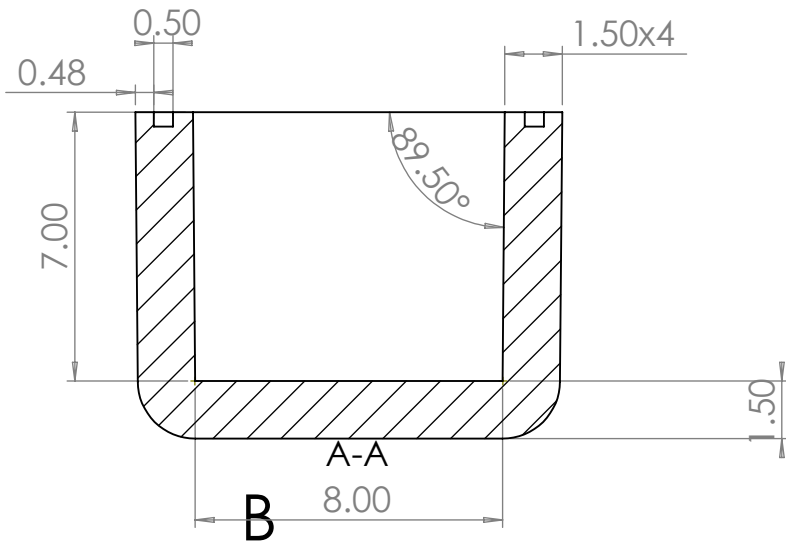
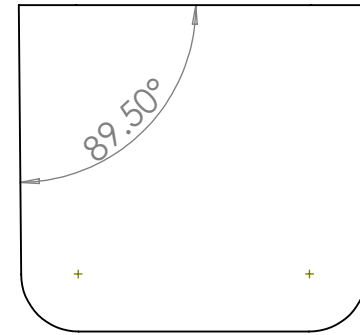
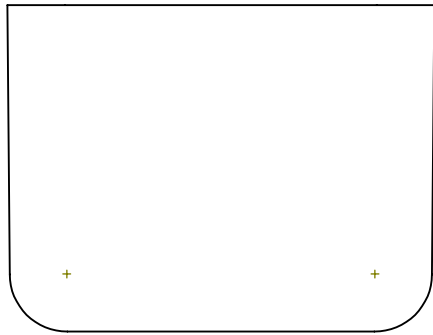
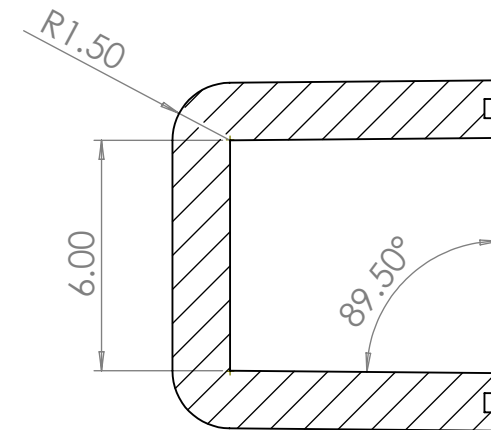
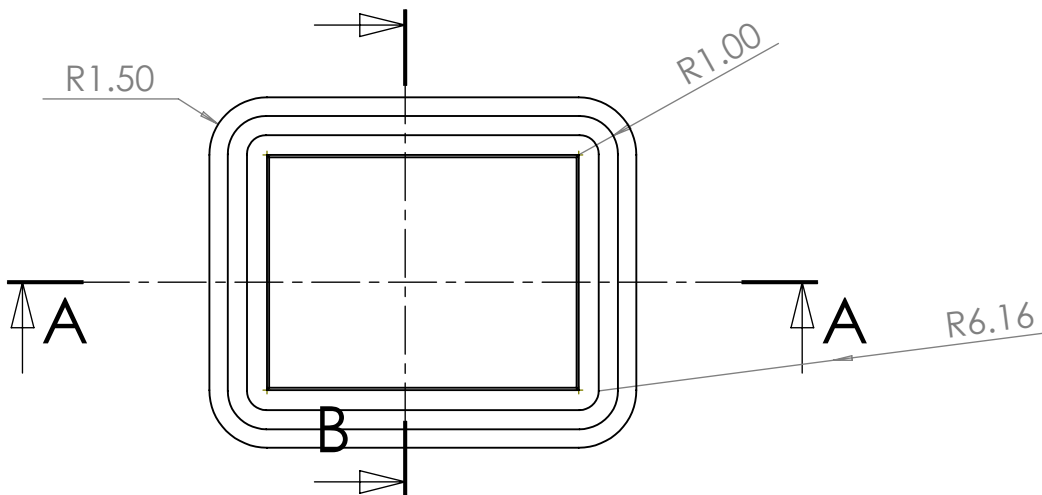


Strategic Packaging 866 Cooler Bottom



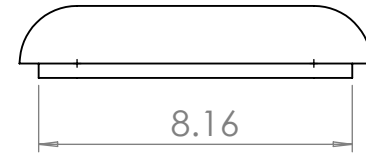
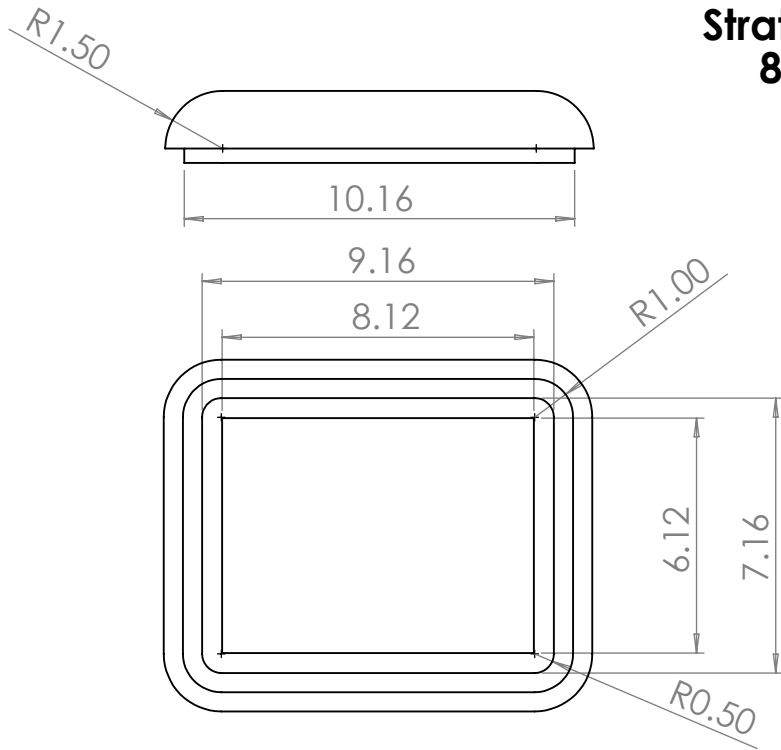
Notes:

1. Material: White EPS
2. Density: 1.4 pcf +/- 10%
3. Dimensional Tolerance: +/- .030"/ft
4. Angular Tolerance: +/- 1/2 degree



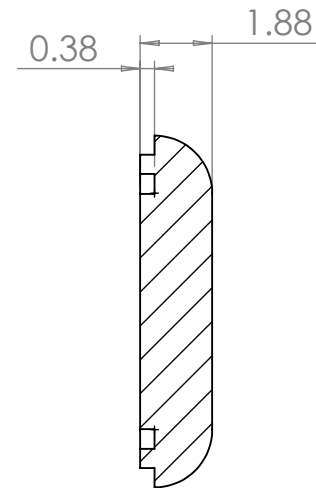
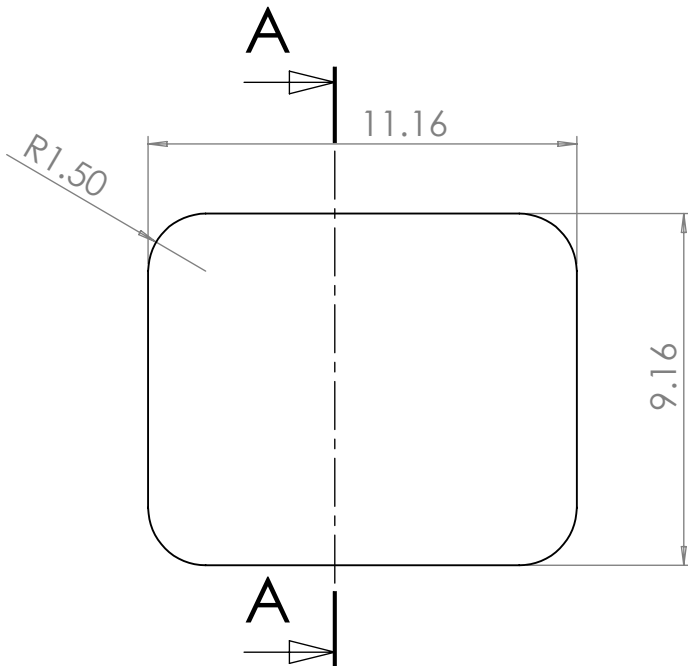
B-B

Strategic Packaging 866 Cooler top



Notes:

1. Material: White EPS
2. Density: 1.4 pcf +/- 10%
3. Dimensional Tolerance: +/- .030"/ft
4. Angular Tolerance: +/- 1/2 degree



A-A