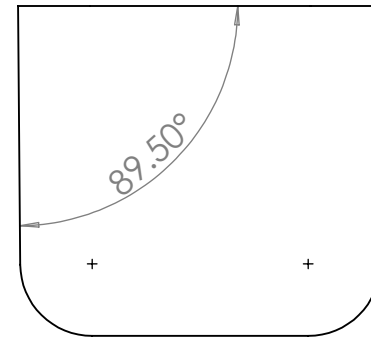
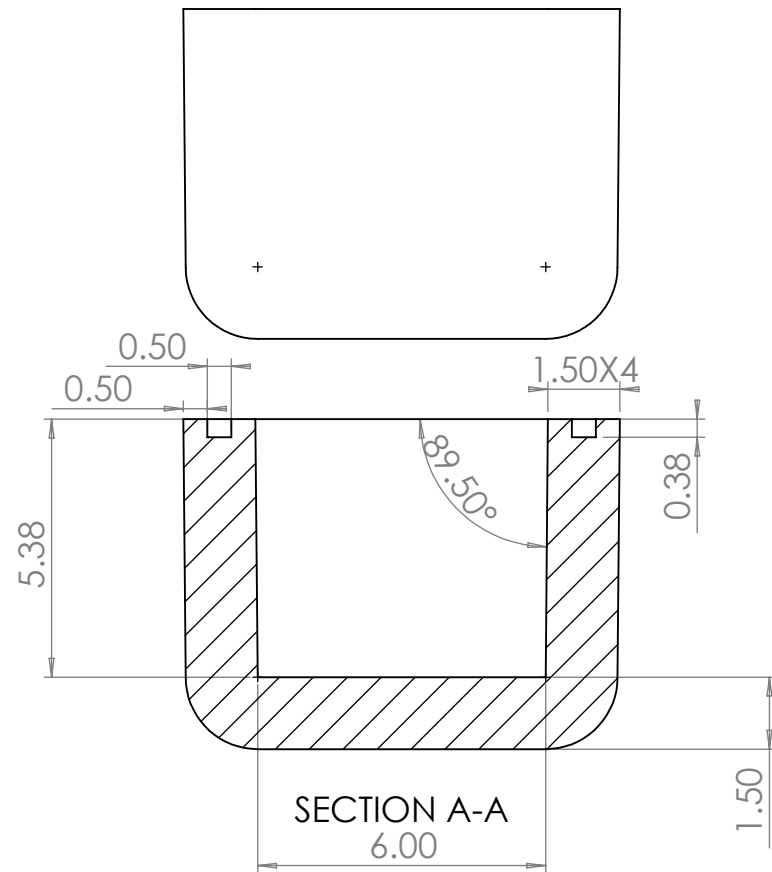
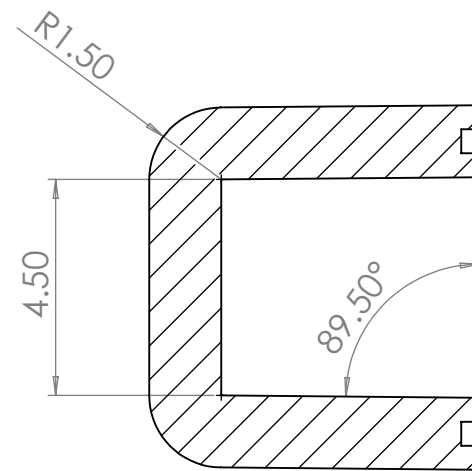
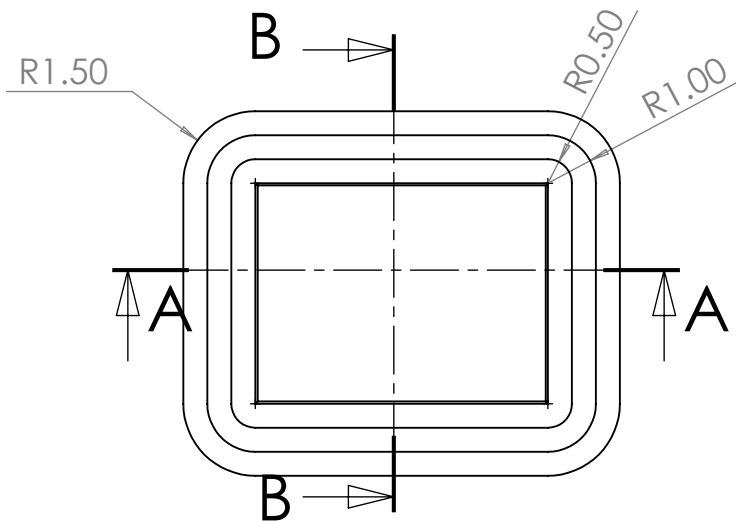


Strategic Packaging 645 Cooler Bottom



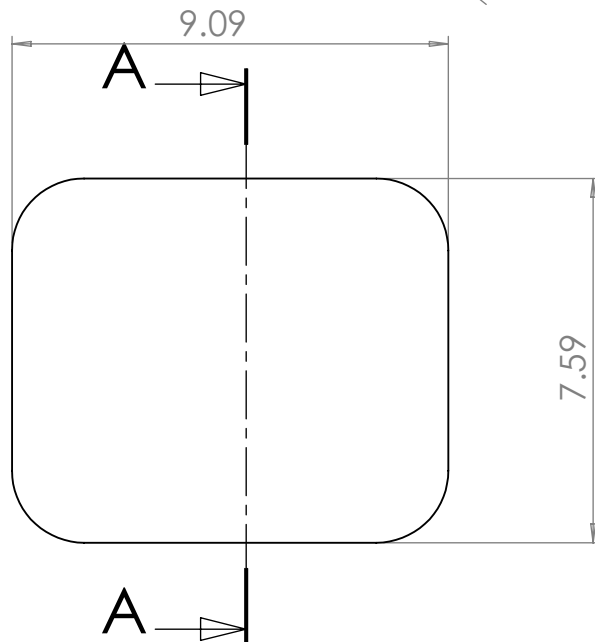
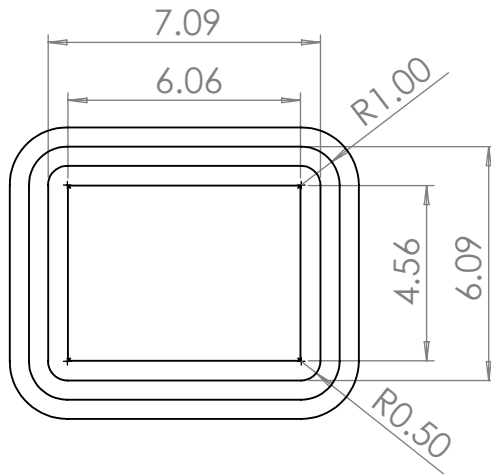
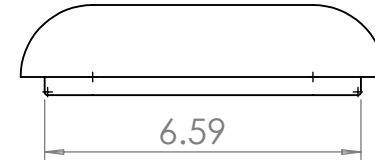
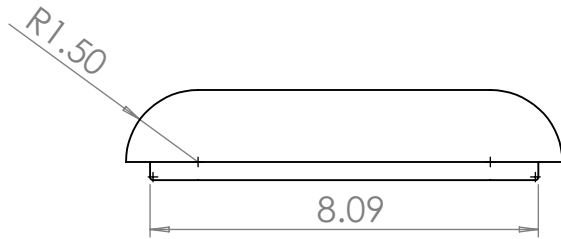
Notes:

1. Material: White EPS
2. Density: 1.4 pcf +/- 10%
3. Dimensional Tolerance: +/- .030"/ft
4. Angular Tolerance: +/- 1/2 degree



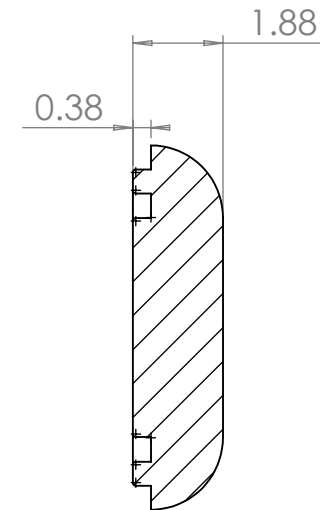
SECTION B-B

Strategic Packaging 645 Cooler top



Notes:

1. Material: White EPS
2. Density: 1.4 pcf +/- 10%
3. Dimensional Tolerance: +/- .030"/ft
4. Angular Tolerance: +/- 1/2 degree



SECTION A-A