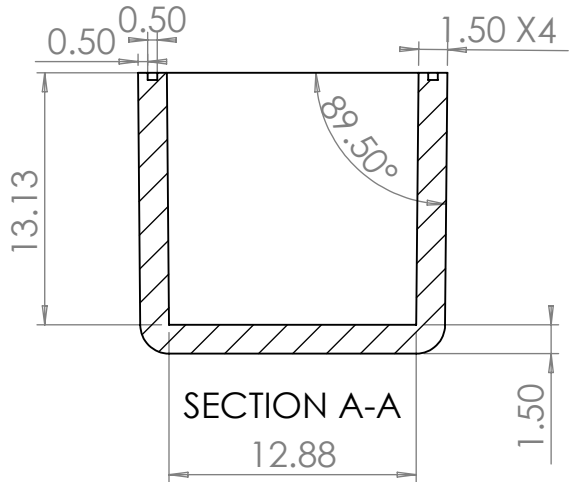
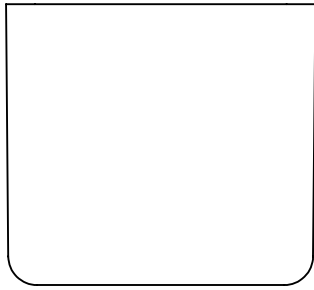
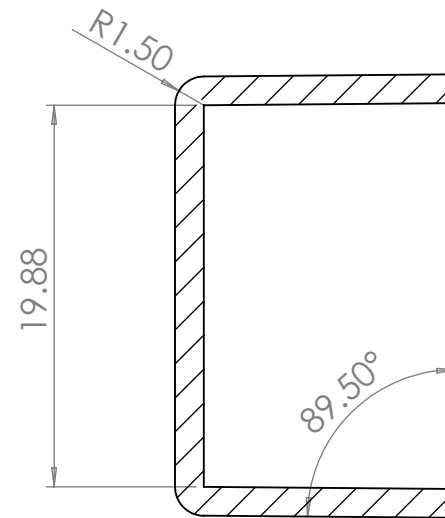
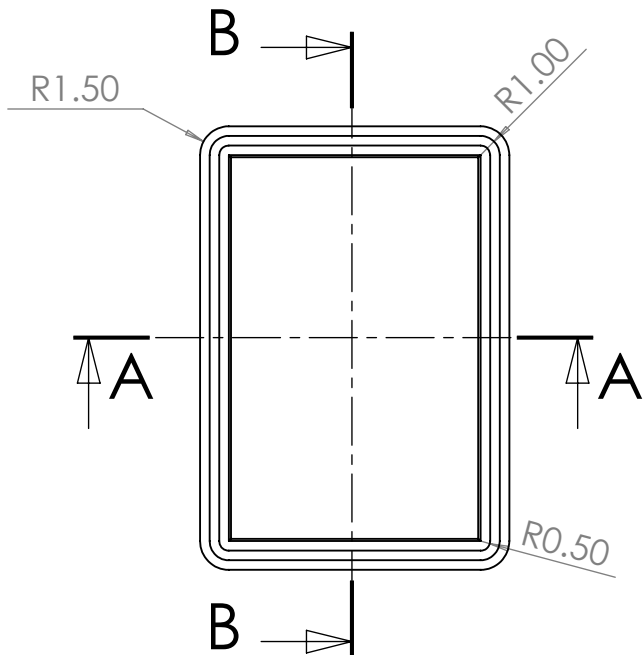


# Strategic Packaging 20 12 15 Cooler Bottom

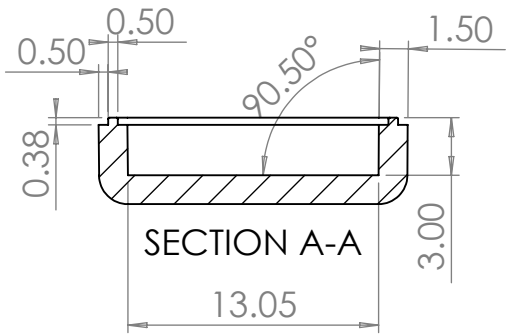
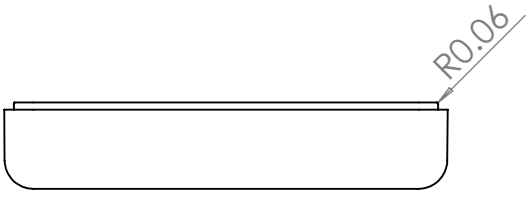
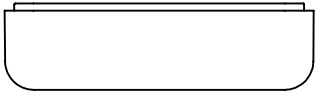


### Notes:

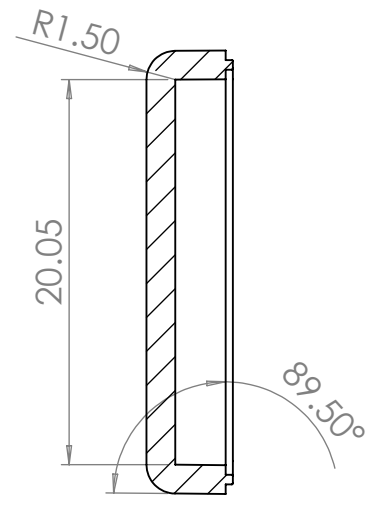
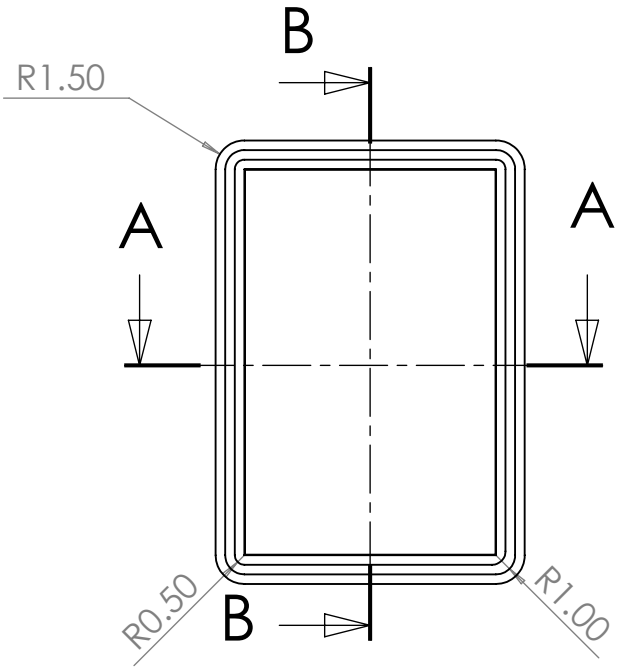
1. Material: White EPS
2. Density: 1.4 pcf +/- 10%
3. Dimensional Tolerance: +/- .030"/ft
4. Angular Tolerance: +/- 1/2 degree



# Strategic Packaging 20 12 15 Cooler Top



- Notes:
1. Material: White EPS
  2. Density: 1.4 pcf +/- 10%
  3. Dimensional Tolerance: +/- .030"/ft
  4. Angular Tolerance: +/- 1/2 degree



SECTION B-B