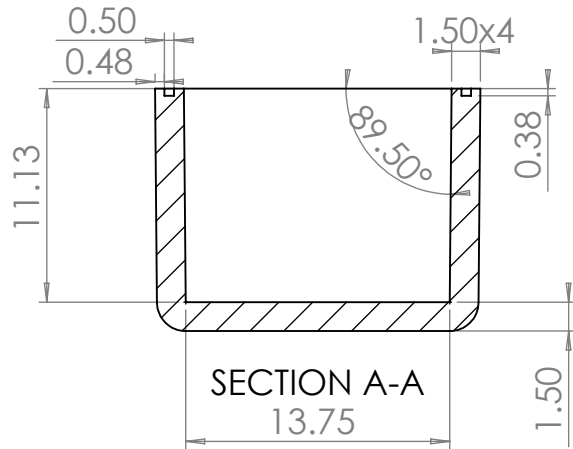
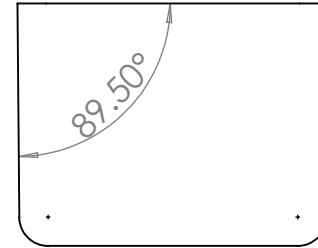
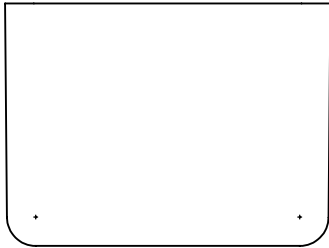
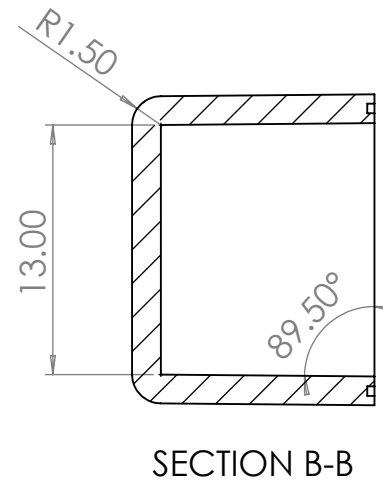
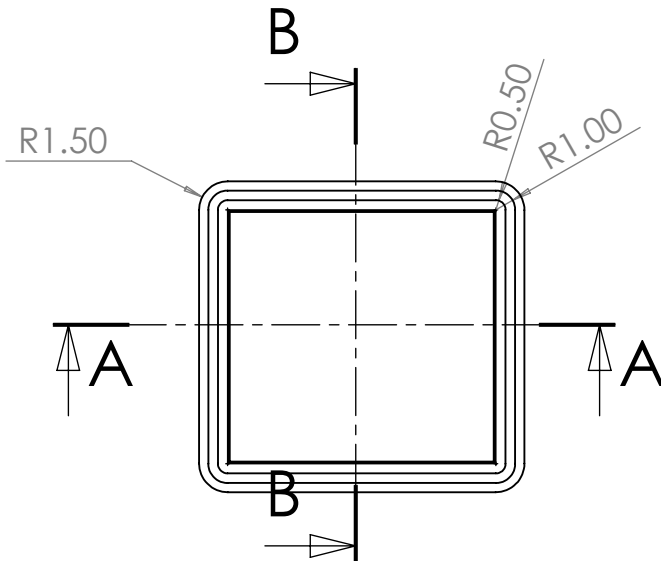


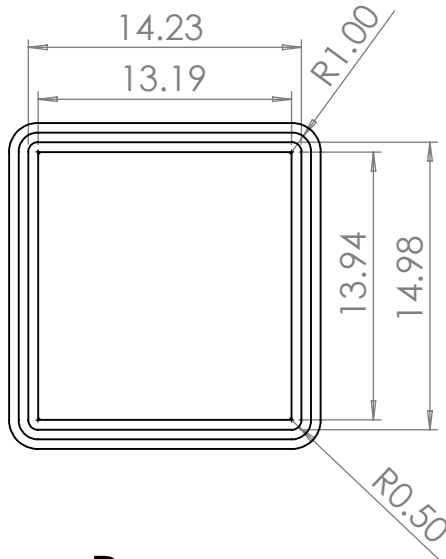
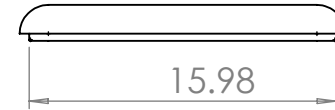
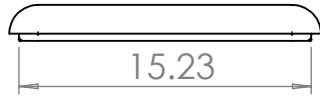
Strategic Packaging 141310 Cooler Bottom



- Notes:
1. Material: White EPS
 2. Density: 1.4 pcf +/- 10%
 3. Dimensional Tolerance: +/- .030"/ft
 4. Angular Tolerance: +/- 1/2 degree

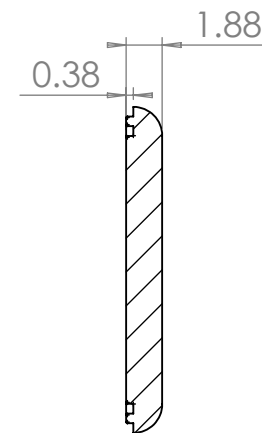
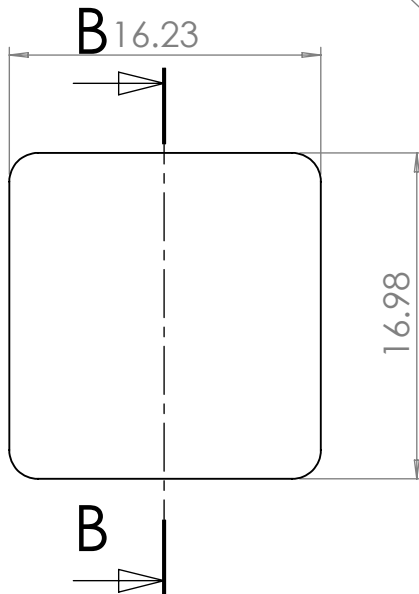


Strategic Packaging 141310 Cooler Lid



Notes:

1. Material: White EPS
2. Density: 1.4 pcf +/- 10%
3. Dimensional Tolerance: +/- .030"/ft
4. Angular Tolerance: +/- 1/2 degree



SECTION B-B