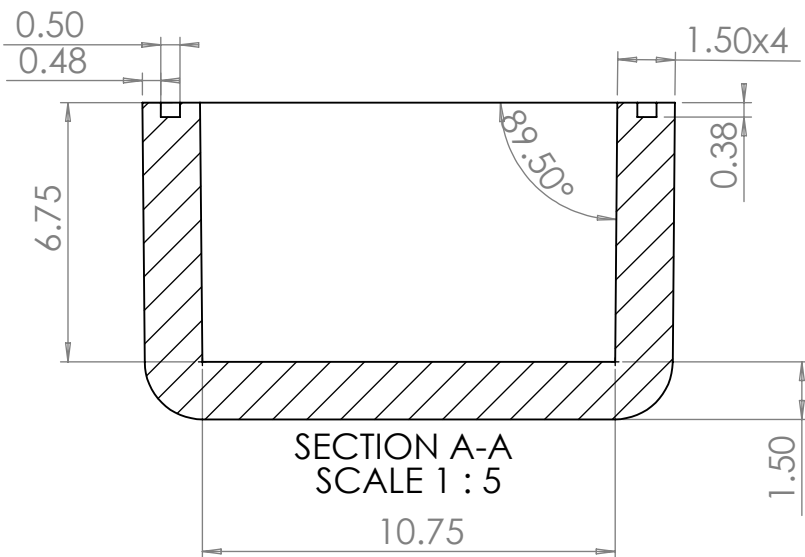
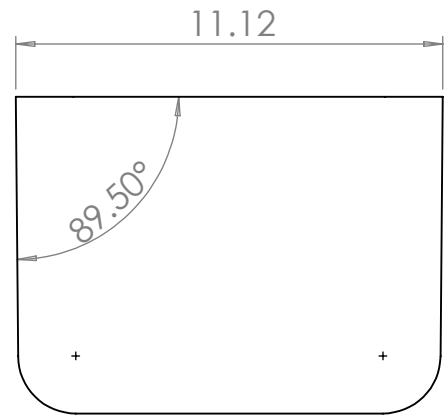
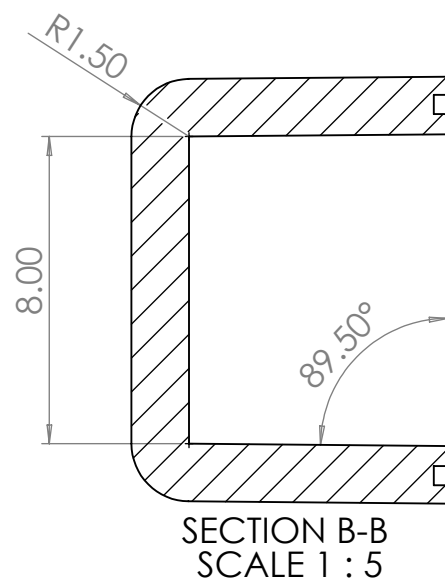
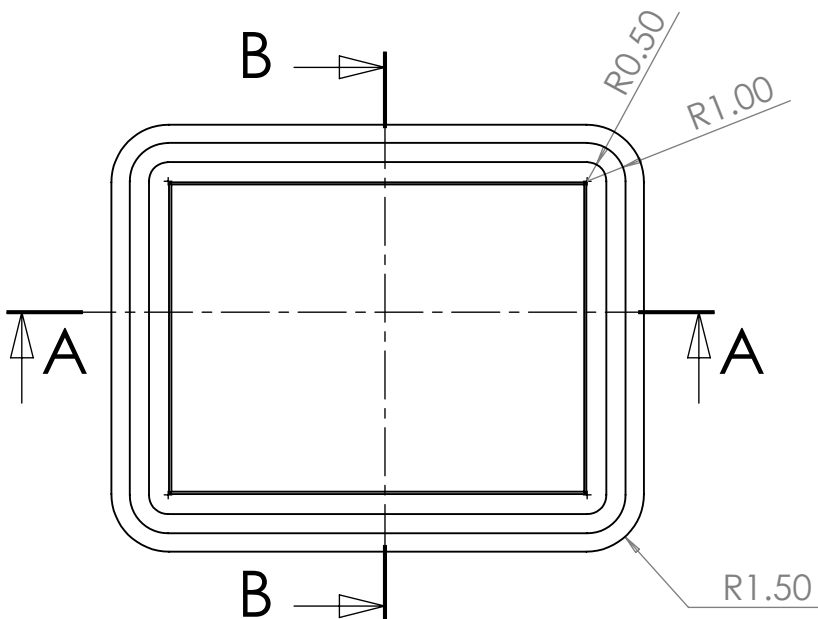


Strategic Packaging 1186 Cooler Bottom

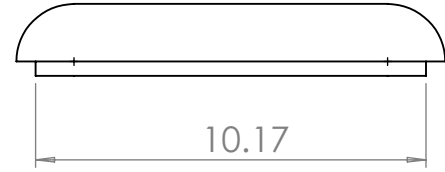
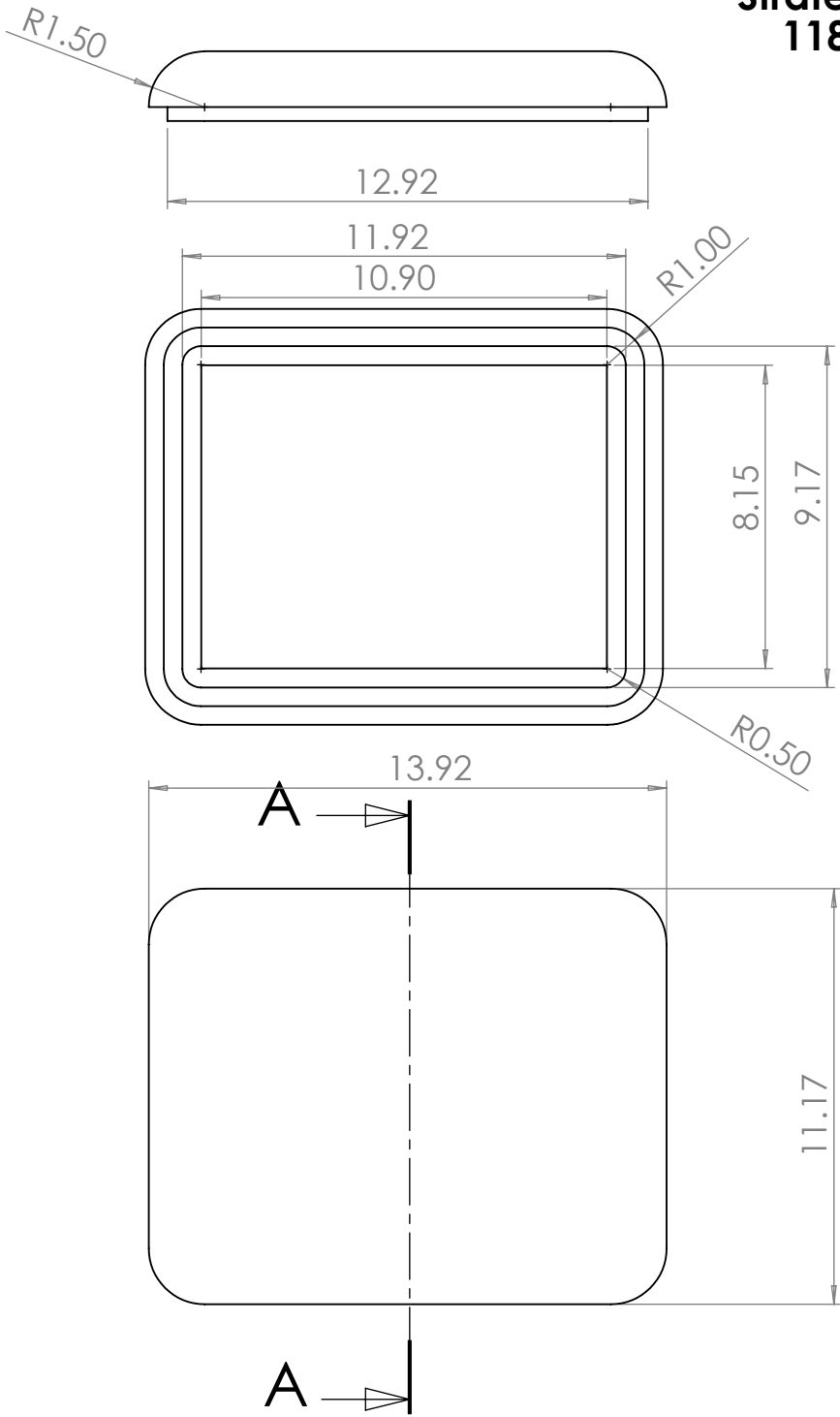


Notes:

1. Material: White EPS
2. Density: 1.4 pcf +/- 10%
3. Dimensional Tolerance: +/- .030"/ft
4. Angular Tolerance: +/- 1/2 degree



Strategic Packaging 1186 Cooler top



Notes:

1. Material: White EPS
2. Density: 1.4 pcf +/- 10%
3. Dimensional Tolerance: +/- .030"/ft
4. Angular Tolerance: +/- 1/2 degree

